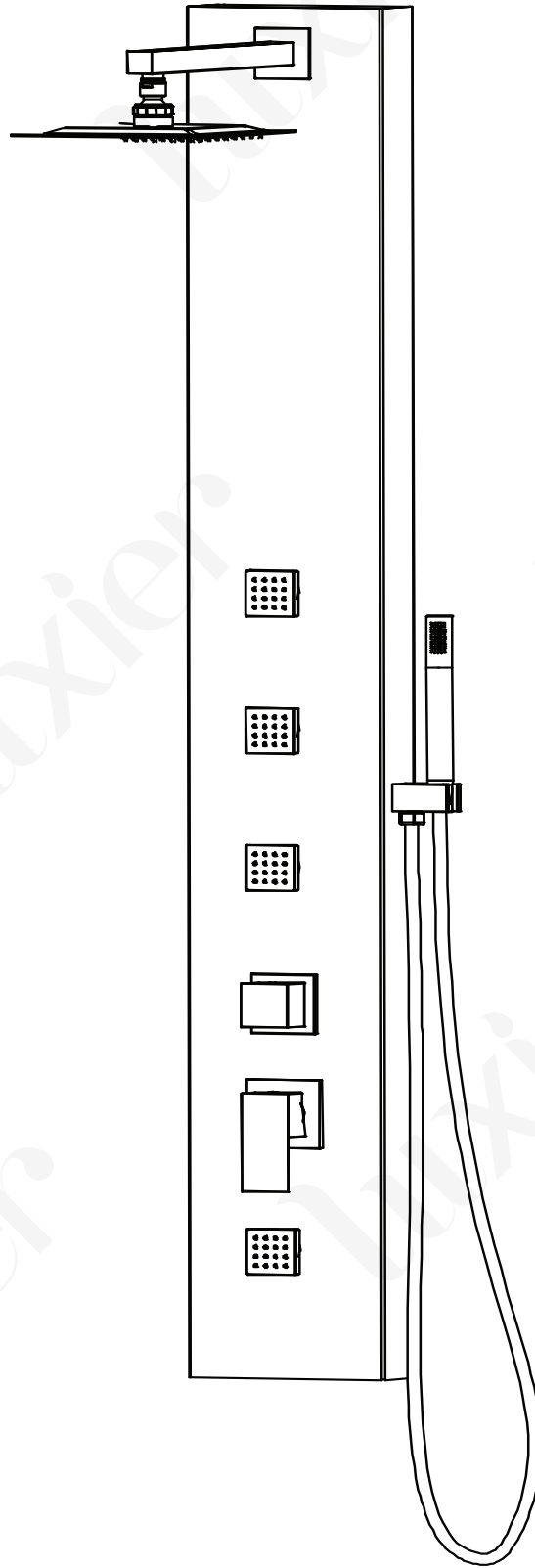


Luxier SP10-SS



Features

- Elegant and durable silver stainless steel frame construction
- 8" stainless steel ultra thin rainfall shower head with 81 nozzles
- 3 stage shower function (Rainfall, Horizontal Massage Spray, Hand Shower)
- 4 adjustable angle brass massage jets with 16 nozzles on each jet
- Contemporary brass hand shower

Thank you for purchasing Luxier products. Please read the information below and keep this installation guide for future reference. If you require assistance, please contact our customer service department at 1-877-711-8828, Monday - Friday 9AM - 5PM Pacific Time. Or by email at support@luxierusa.com.

Limited Two (2) Year Warranty (For USA Only)

The manufacturer warrants this product to be free of manufacture defects during daily normal household use for as long as it is owned by the original purchaser of this product. Please keep a copy of the original invoice as proof of purchase.

Should a malfunction occur within the warranty period, Luxier USA will, as its option, (1) repair or replace the defective part(s) or product(s) at no charge; (2) issue a refund of the original purchase price of the product(s) (Valid within 30 days from the date of purchase); or (3) issue a credit to be applied toward the purchase of a new Luxier product. Shipping/delivery charges may apply and are in Luxier USA's sole discretion.

This limited warranty shall not apply to goods which have been subject to accident, negligence, improper installation, product abuse, product misuse, or use of cleaners containing abrasives, alcohol or other organic solvents, whether performed by a contractor, service company, or yourself, are excluded from this warranty.

Our responsibility under this limited warranty is limited to only to replacement parts and no other costs. Luxier USA will not be responsible for labor charges and/or damage incurred by installation, repair or replacement, nor for any indirect incidental or consequential damages, losses, injury or costs of any nature relating to this product. Except as provided by law, this limited warranty is in lieu of and excludes all other warranties, conditions, and guarantees, whether expressed or implied, statutory or otherwise, including without restriction those merchantability of fitness for use.

This limited warranty is non-transferable. This limited warranty only applies to products purchased and installed in the United States. This limited warranty covers the original consumer purchase only and does not include business, commercial or industrial use of this product. To obtain service under the Limited Warranty, please contact Luxier USA at support@luxierusa.com. The Luxier USA Customer Care Department will determine whether to repair or replace your product, issue a refund, or issue a credit.

Attention

- This installation guide is subject to change without notice, please contact us to request the most updated version of this installation guide.
- This is a general installation guideline, actual installation may vary. Consult a professional if necessary.
- Product drawings in this installation guide is for illustration purpose only. Actual product may vary depends on model.
- Always take extra precautions and wear appropriate safety equipment when installing this product.
- Proper water pressure needs to be maintained to prevent possible scalding.
- Stainless steel shower panels are handmade and assembled. Product dimensions may vary slightly, always measure the actual product before installation.

You may also need the following tools

1. Thread Sealant Tape, (PTFE Tape)	5. Pencil or Marker
2. Silicon Sealant	6. Level
3. Phillips Screw Driver	7. Hammer
4. Drill with ¼" Drill bit	

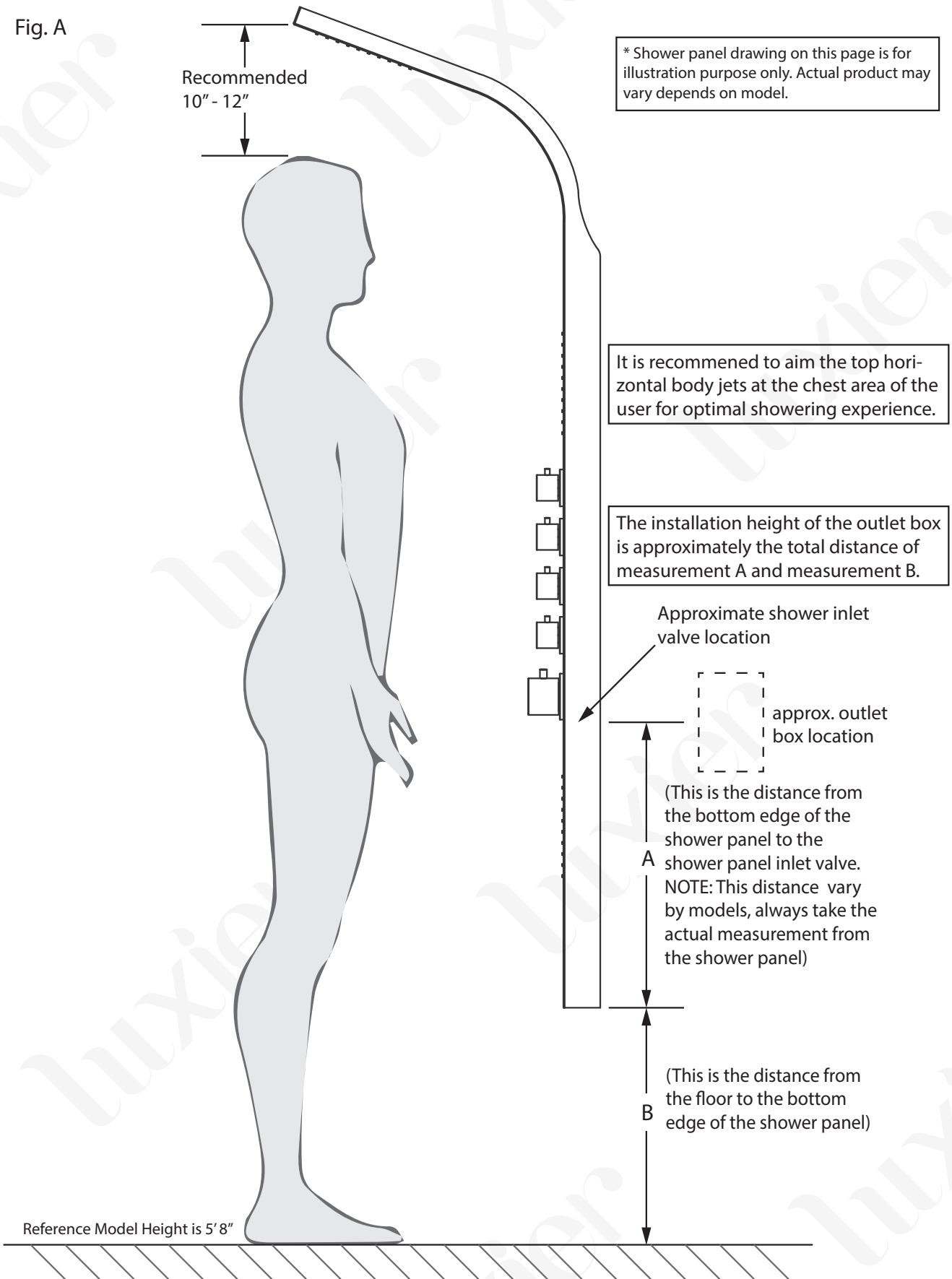
Before You Begin

- Read and understand this instructions completely before installation.
- Unpack and inspect the shower panel from the package for shipping damage and make sure all parts are included with the shower panel.
- Keep the product in its package until you are ready to install.
- Read and understand this installation guide completely.
- Make sure the installation site is clean and free of dust and debris.
- Please make sure the water supply is shut off to the installation area. If necessary, shut off the water to the entire house.
- Turn on the water at a bathroom faucet in the house to relieve the pressure in the plumbing system.

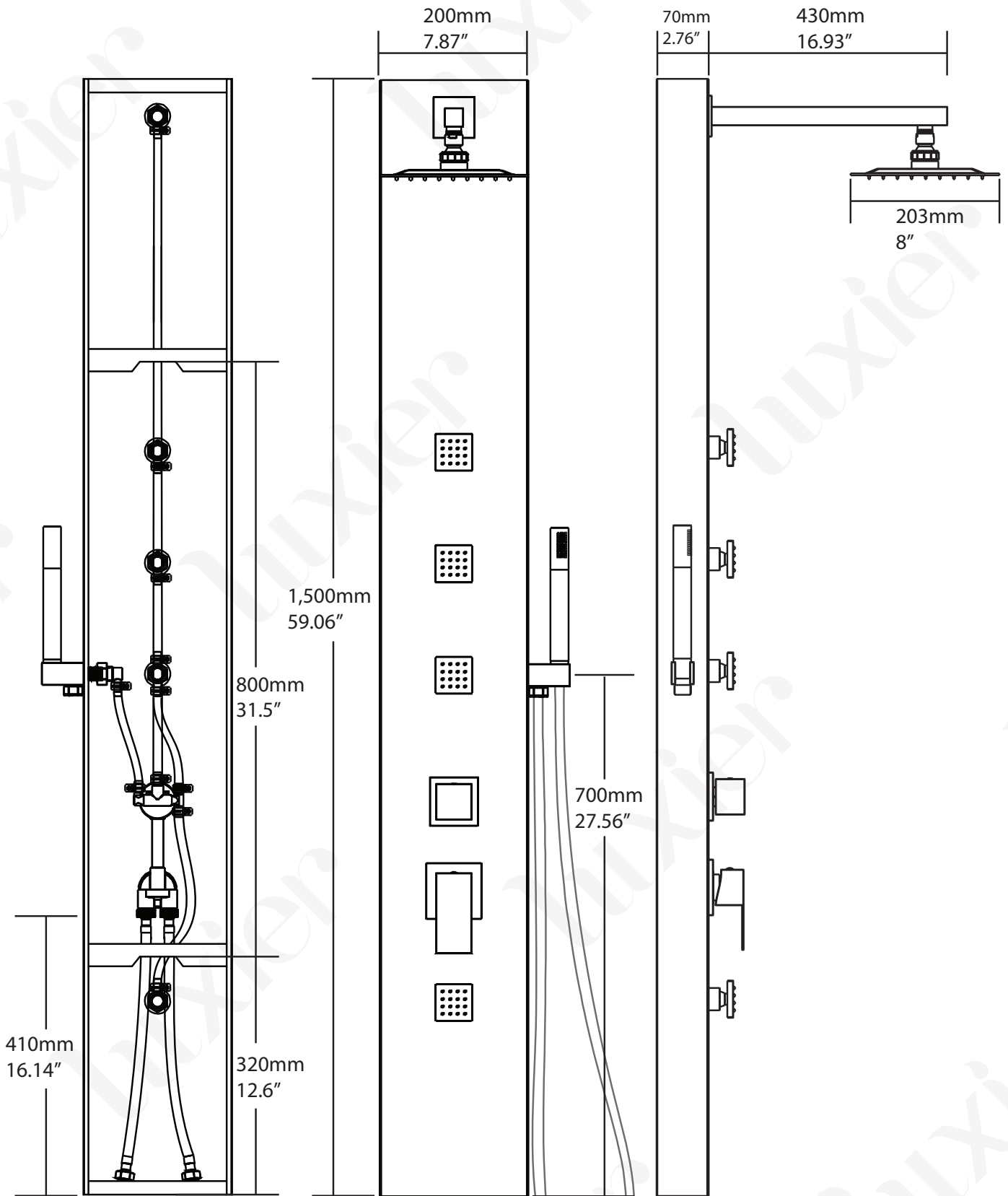
Rough-In

- Please follow all local building and plumbing codes.
- The height and placement of the shut off valves will be based on the installation height of the shower panel, see figure A. The installation height is approximately the total distance of measurement A and measurement B.
- The finished wall opening for the valves should not be larger than 4.5" wide by 6" tall. Make sure the opening is completely waterproof to prevent any water leaking into the wall space. (NOTE: Product warranty does not cover any damages caused by water leak due to negligent and improper installation of the shut off valves and the shower panel.)
- An outlet box such as the Sioux Chief Ox Box™ 696-G2001MF, 696-G2303MF, or 696-2403MF is recommended to expedite the installation process of the shut off valves. (NOTE: additional parts such as brass reducer / adapters are required but not included with this product)

Fig. A

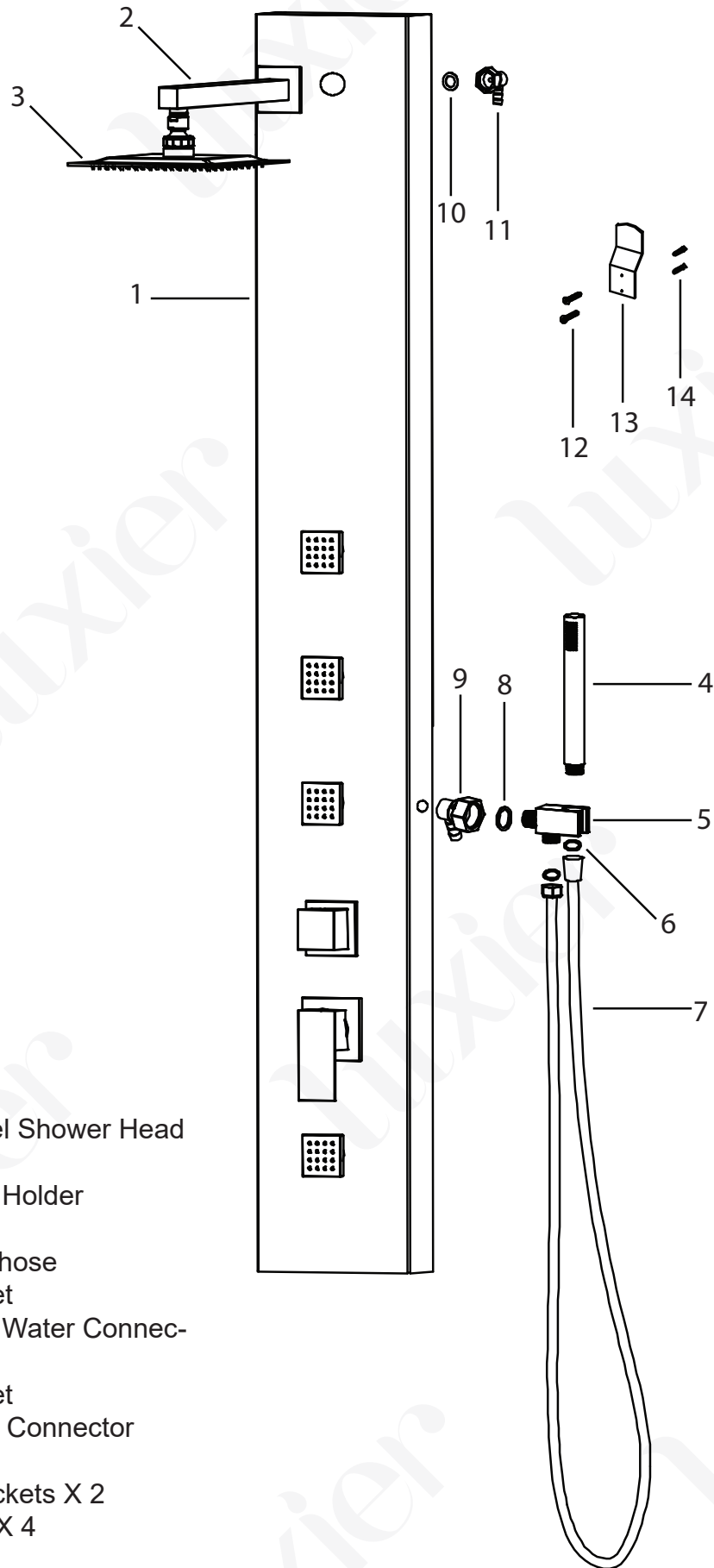


Technical Data



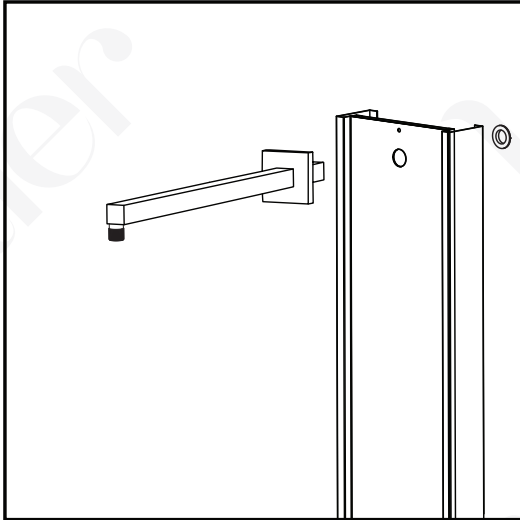
* All Measurements are Approximate

Parts List

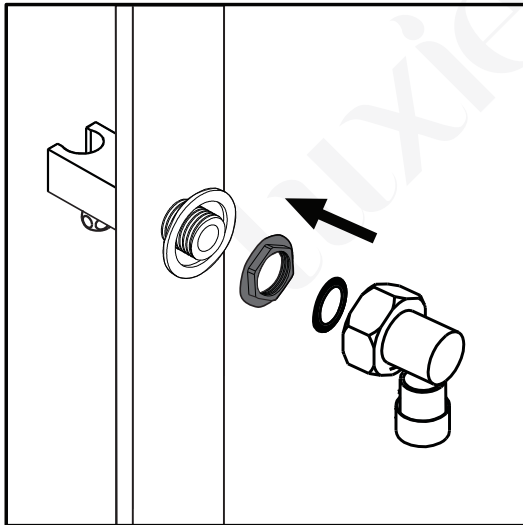


- 01. Shower Panel
- 02. Shower Arm
- 03. Stainless Steel Shower Head
- 04. Hand Shower
- 05. Hand Shower Holder
- 06. O ring
- 07. Hand shower hose
- 08. Rubber Gasket
- 09. Hand Shower Water Connector
- 10. Rubber Gasket
- 11. Shower Water Connector
- 12. Screws X 4
- 13. Mounting Brackets X 2
- 14. Wall Anchors X 4

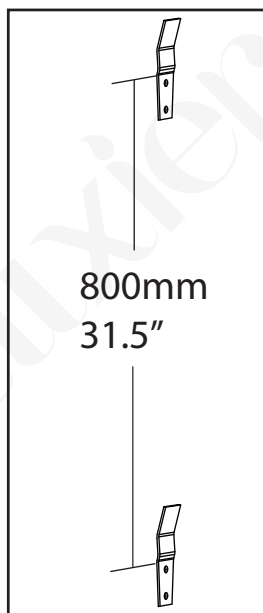
Installation



1. Attach shower head / arm assembly to the panel body. Make sure to install screen washer to protect shower head from debris in the plumbing system.



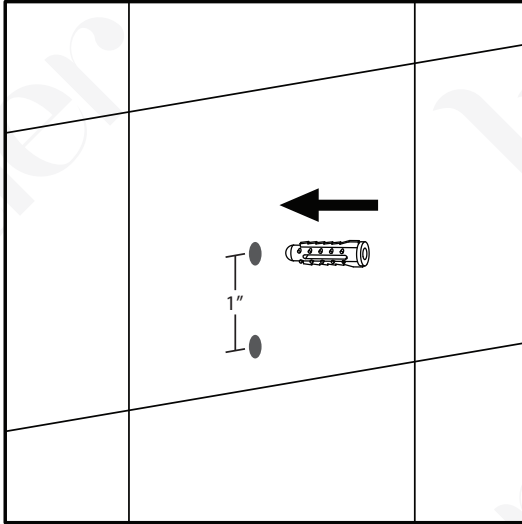
2. Install hand shower connector and attach PVC tubing to complete the connection.



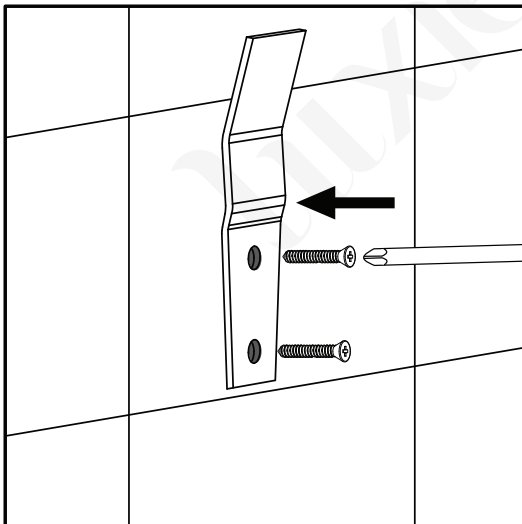
3. Lift the panel to determine the proper height and placement. (**NOTE:** It is recommended to aim the top horizontal body jet to the chest area for optimal showering experience.)

Mark the positions of the 2 brackets on the wall and set aside the panel. (**NOTE:** The distance between the two brackets should be 800mm or 31.5")

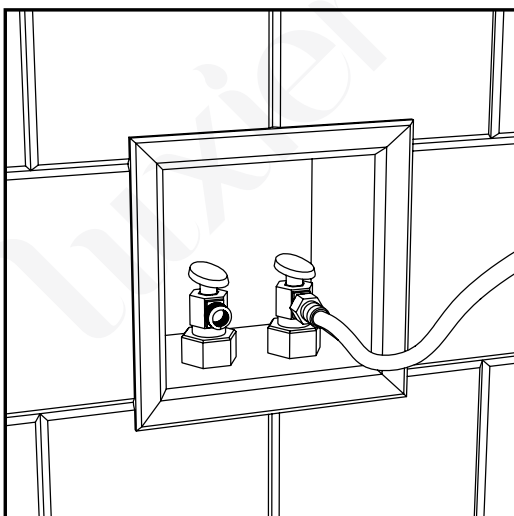
Installation (cont.)



4. Using a drill with a tile bit, drill the hole slowly into the tile. Do not drill into any piping or wiring in the wall. Insert the anchors into the wall. (**NOTE:** Before drilling the wall anchors, use a small piece of painters tape or masking tape over the drill area. This will prevent damages to the tile)

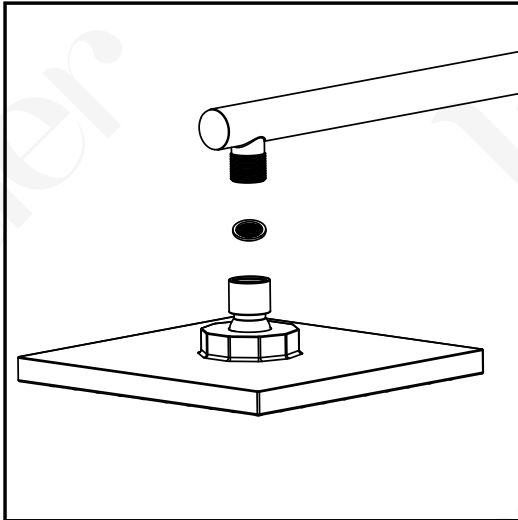


5. Secure the mounting brackets to the wall with the screws.

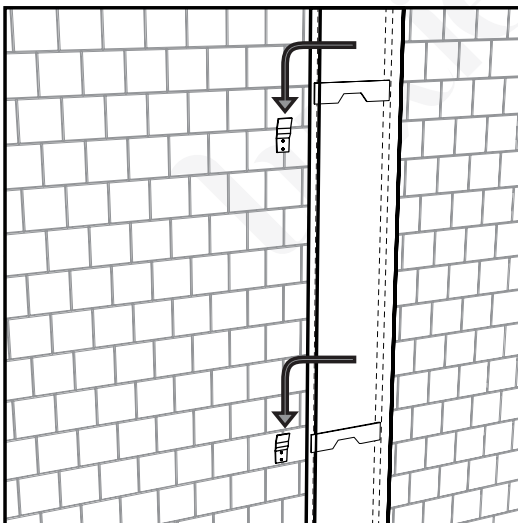


6. Apply thread sealant tape to the threading on the shut off valves before connect both hot and cold water supply hoses to the valves. Turn on the valves and check all connections for possible leaks.

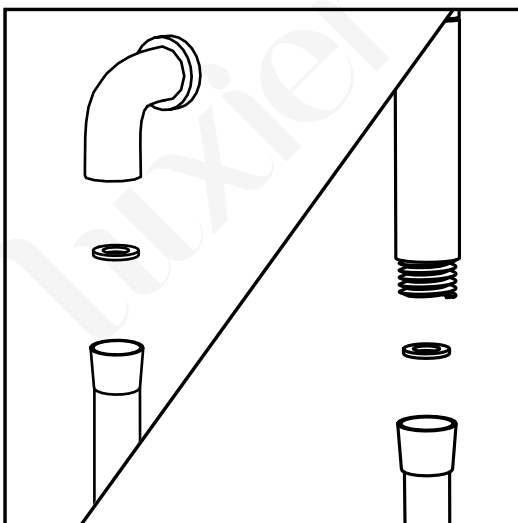
Installation (cont.)



7. Attache shower head.



8. Hang the unit on the wall to complete the installation. Make sure the unit is seated properly. Apply silicon sealant on left and right sides of the shower panel. (**NOTE:** do not seal the bottom of the panel, this will allow any possible future leaks to drain out the panel)



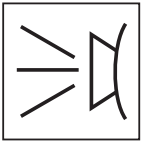
9. Connect hand shower hose to the main panel body. Attach the hand shower to the hose. (**NOTE:** Install the rubber washer to prevent leak.)

Operation

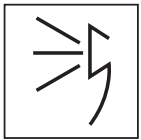
1. To operate the unit lift up the handle to turn on water.
2. Swivel handle from side to side to set desired water temperature.
3. Turn the top knob to select desired water feature.



Overhead Rainfall Shower



Horizontal Body Jets



Handheld Shower

Maintenance Guide

Please follow the cleaning material manufacturer's instructions. In addition, pay attention to the following points:

1. Regular cleaning can prevent mineral build up on shower head and handheld shower.
2. Use a mild detergent such as liquid dishwashing soap and warm water for cleaning.
3. Do not use abrasive / harsh chemical when cleaning the fixture as they will damage and dull the finish.
3. Carefully read the cleaner product label to ensure the cleaner is safe for use on the material.
4. Test the cleaner on a small area before using on the entire surface.
5. Do not leave the cleaner on the fixture longer than necessary.
6. When using spray cleaners, spray first onto a soft cloth or sponge. Never spray directly onto the faucet as droplets can enter openings and gaps and cause damage.
5. After cleaning, rinse thoroughly with clean water to remove any cleaner residue.
6. Wipe dry with soft cloth to keep shower panel surface spot free.